



KC200 KC200B



COMPACTE CARD PERSONALISATIE MODULES VOOR SELF-SERVICE KIOSKS

KC200 en KC200B printers bieden kosten-efficiënte oplossingen voor de instant uitgifte van gepersonaliseerde plastic cards. De Evolis Premium SDK en de totale toegang tot de verschillende componenten bieden de mogelijkheid om de KC200 en KC200B soepel te integreren in ieder type self-service kiosks.

COMPACT EN ROBUUST

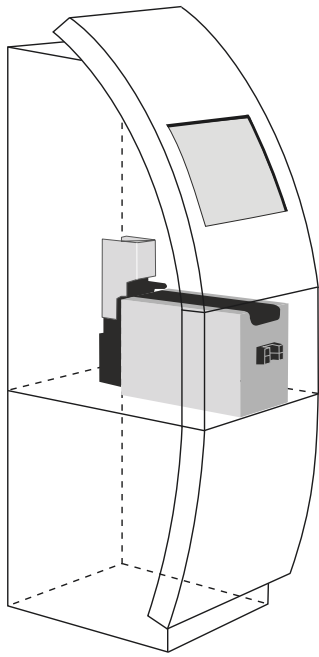
- KC200 en KC200B printers combineren met succes compactheid en zelfstandigheid door de 200-card invoer.
- KC200 en KC200B profiteren van de laatste Evolis innovaties in card printing modules. De metalen behuizing van deze printers maakt de integratie in uw systeem simpel en hoogwaardig.

CONFIGURATIE NAAR WENS

- U kunt eenvoudig het card management configureren: cards teruggave door het gebruik van een exit slot en verschillende opzetmogelijkheden zoals invoer en uitvoer aan de voor- of achterzijde.
- KC200 en KC200B oplossingen zijn volledig modulair: ze kunnen zowel enkel- als dubbelzijdig bedrukken en kunnen worden uitgerust met encoders voor magneetstrip, contact- of contactloze smart cards.

EENVOUDIG IN GEBRUIK

- Om dagelijks onderhoud te faciliteren en te beperken, bieden de KC200 en KC200B printers statusmeldingen op afstand betreffende bijvoorbeeld de voorraad verbruiksmaterialen en printerstatus.
- Dankzij de Evolis Premium SDK, kunnen de KC200 en KC200B geïntegreerd worden in uw eigen applicatie en gemonitord worden via een lokaal netwerk of via de cloud.



KC200

KC200B

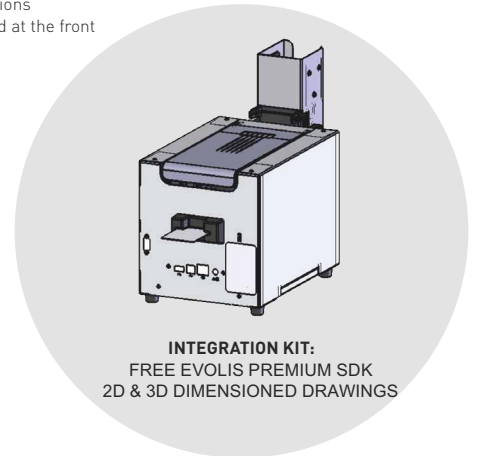


Connections
relocated at the front



Connections
at the rear

Bezel



INTEGRATION KIT:
FREE EVOLIS PREMIUM SDK
2D & 3D DIMENSIONED DRAWINGS

EIGENSCHAPPEN IN HET KORT/volledige technische specificaties op www.evolis.com

GENERAL FEATURES

- Dual-sided printing module
- Edge-to-edge printing
- Color dye sublimation, monochrome thermal transfer
- Standard 300 x 300 dpi resolution
- Customizable 300 x 600 dpi resolution or 300 x 1200 dpi resolution (monochrome printing only)
- 32 MB memory (RAM)

PRINTING PERFORMANCES

- Single side:
 - Color (YMCKO): 20.5 s per card
 - Monochrome: 7 s per card
- Dual side:
 - Color (YMCKO-K): 28 s per card

INTERFACES

- USB (1.0, 1.1, 2.0, 3.0)
- Ethernet TCP-IP 10BaseT, 100BaseT (Traffic Led)

LOADING AND RETURNING CARDS

- Card input hopper: 200 cards (0.76 mm - 30 mil) or 100 cards (0.76 mm - 30mil) without metallic cassette
- Reject slots for defective cards
- KC200: card exit in the kiosk terminal output tray
- KC200B:
 - Manual card insertion and return with bezel
 - Ability to retract unretrieved cards

CARD SPECIFICATIONS

- Card thickness: 0.76 mm (30 mil)
- Card types: PVC cards, composite PVC cards, PET cards, ABS cards¹, special varnished cards¹
- Card format: ISO CR80 - ISO 7810 (53.98 mm x 85.60 mm)

DISPLAY

- Printer LEDs
- Printer graphical notifications: cleaning alerts, empty/low level ribbon and cards alert...

ADDITIONAL ENCODING MODULES

- Available modules:
 - Magnetic stripe encoder ISO 7811 HiCo/LoCo
 - Contact smart card encoder - PC/SC, EMV 2000-1
 - Contactless smart card encoder - ISO 14443A, B, ISO15693, Mifare, DesFire, HID iCLASS, LEGIC
 - Other specific encoders upon request
- Internal USB or IP ports
- Options can be combined

SAFETY

- Data encryption for magnetic encoding

EVOLIS HIGH TRUST[®] RIBBONS

To maximize the quality and durability of printed cards, the lifespan of the print head and the overall printer reliability, use Evolis High Trust[®] ribbons.

- Ribbon capacity:
 - YMCKO: 300 prints/roll
 - YMCKO-K: 200 prints/roll
 - ½ YMCKO: 400 prints/roll
 - KO: 600 prints/roll
 - Black monochrome ribbon: 2000 prints/roll ¹
 - Other monochrome ribbons: 1000 prints/roll ¹
 - SO-KO: 250 prints/roll
- Ribbon saver for monochrome printing

SOFTWARE

- Compatible with Windows[®] (32/64 bits): XP SP3, Vista, W7, W8, W10
- Mac OS X (from 10.6 onwards)
- Linux upon request
- Evolis Premium Suite[®]:
 - Printer driver
 - Evolis Print Center for printer administration and settings
 - Evolis Printer Manager for graphical notification ²
 - 24/7 online support
- Evolis Premium SDK free of charge for remote supervision of the printer, while facilitating and speeding up integration into IT systems

ECO-FRIENDLY DESIGN, CERTIFICATIONS AND STATEMENT OF COMPLIANCE

- Standby mode & reduced energy consumption
- CE, FCC, ICES, VCCI, CCC
- RoHS

OPERATING ENVIRONMENT

- Standard operating temperature and humidity rate:
 - 15° / 30° C (59° / 86° F)
 - 20% to 65% non-condensing
- Min / Max operating temperature and humidity rate ³:
 - 0° / 40° C (32° / 104° F)
 - 20% to 65% non-condensing
- Min / Max storage temperature: -5° / +70° C (23° / 158° F)
- Storage humidity rate: 20% to 70% non-condensing
- Operating ventilation: free air

SIZE AND WEIGHT

- Size (H x W x D):
 - KC200: 307 x 199 x 378 mm (12.09" x 7.84" x 14.88") with feet: H: 322 mm (12.68")
 - KC200B: 307 x 199 x 399 mm (12.09" x 7.84" x 15.70") with feet: H: 322 mm (12.68")
- Weight:
 - KC200: 5.6 kg (12.34 lbs)
 - KC200B: 5.8 kg (12.78 lbs)

WARRANTY

- 1-year warranty (printer and print head)
- Warranty extension available as an option

¹ Under specific conditions / ² Requires the .net 4.0 client profile version / ³ Under specific conditions and project qualification
⁴ Warranty subject to observance of specific conditions and use of Evolis High Trust[®] ribbons



EVOLIS IN NEDERLAND

Card Vision BV
Kerkweg 55 F - 3235 XL ROCKANJE - The Netherlands
T +31 (0) 181 45 31 09 - evolis@cardvision.nl

AMERICAS - Evolis Inc. - Fort Lauderdale - evolisinc@evolis.com

ASIA-PACIFIC - Evolis Asia Pte Ltd - Singapore - evolisasia@evolis.com

CHINA - Evolis China - Shanghai - evolischina@evolis.com

INDIA - Evolis India - Mumbai - evolisindia@evolis.com